

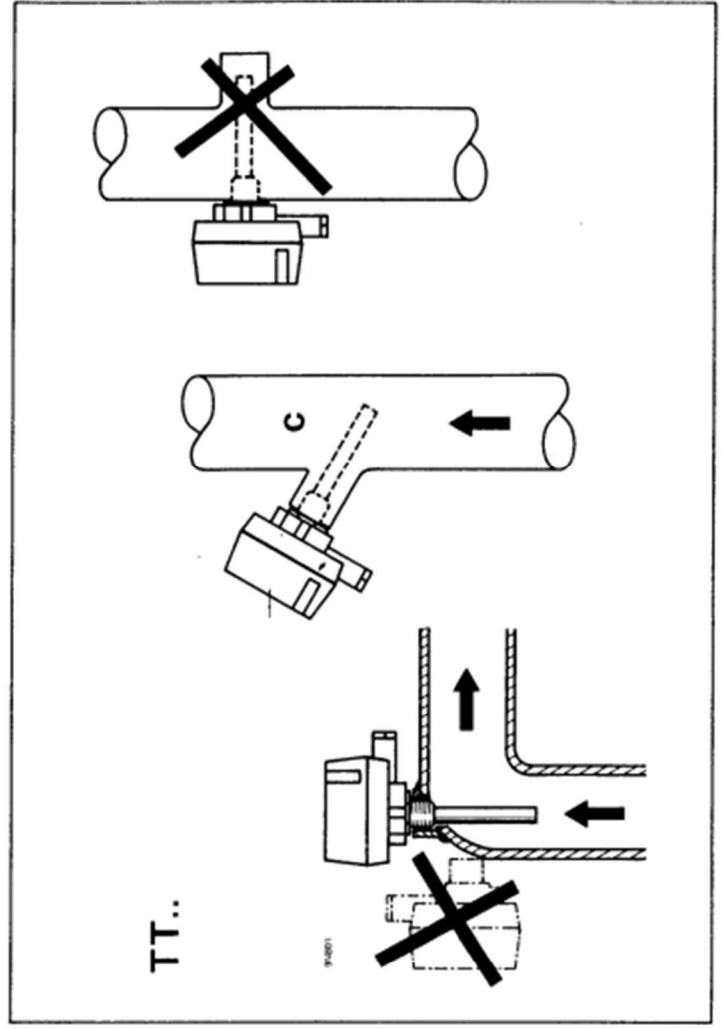
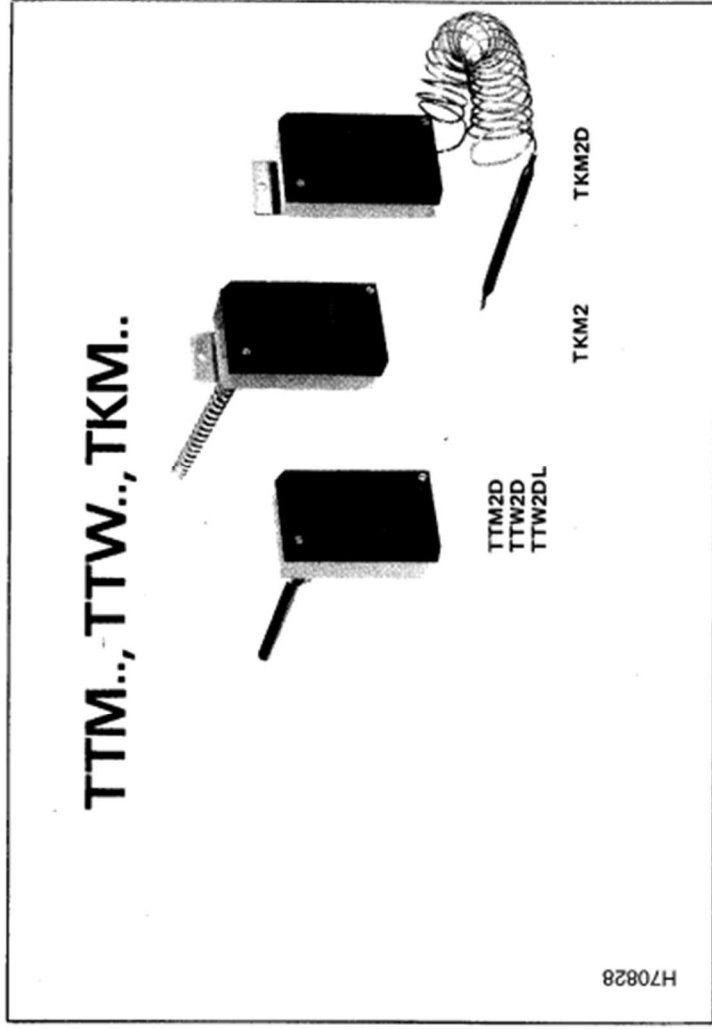
## Disposal Instructions for thermostats

Return decommissioned or defective thermostats to the manufacturer for disposal in a safe and environmentally appropriate manner.  
 The capillary tube in these devices contains a small quantity of expansion fluid which should not be set free.  
 Do not dismantle or otherwise damage thermostats and treat them as hazardous waste.  
 The expansion fluid is labeled on the thermostat.  
 Comply with all relevant national regulations governing the disposal of hazardous waste.

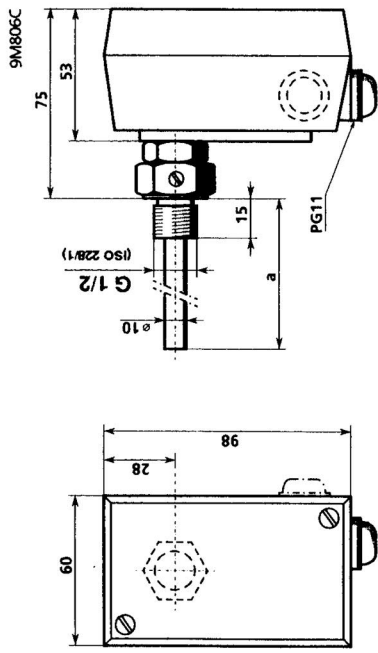
### Toluene



- H225: Highly flammable liquid and vapour
- H304: May be fatal if swallowed and enters airways
- H315: Causes skin irritations
- H336: May cause drowsiness or dizziness
- H373: May cause damage to organs through prolonged or repeated exposure
- P301 + P330 + P331: IF SWALLOWED: Rinse mouth. Do NOT induce vomiting
- P302 + P352: IF ON SKIN: Wash with plenty of soap and water
- P314: Get medical advice / attention if you feel unwell

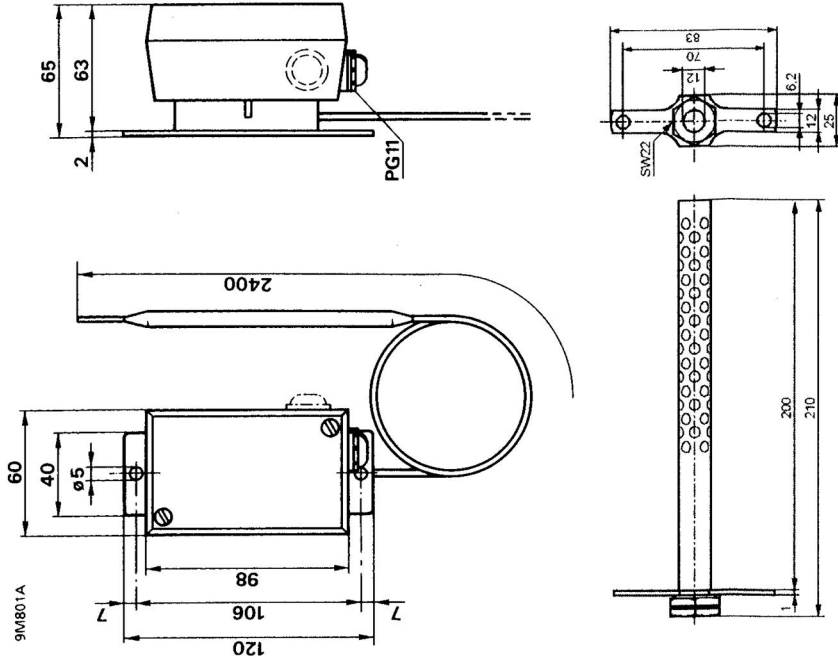


# TTM2D, TTW2D, TTW2DL

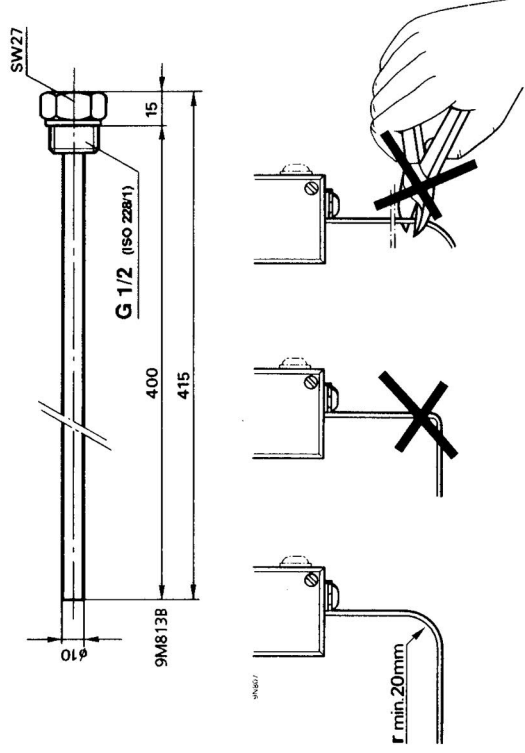


	a [mm]
TTM2D, TTW2D	150
TTW2DL	400

# TKM2D



# Z620



# TKM2

