

NORDIC COMMERCIAL CASSETTE TYPE SERIES R



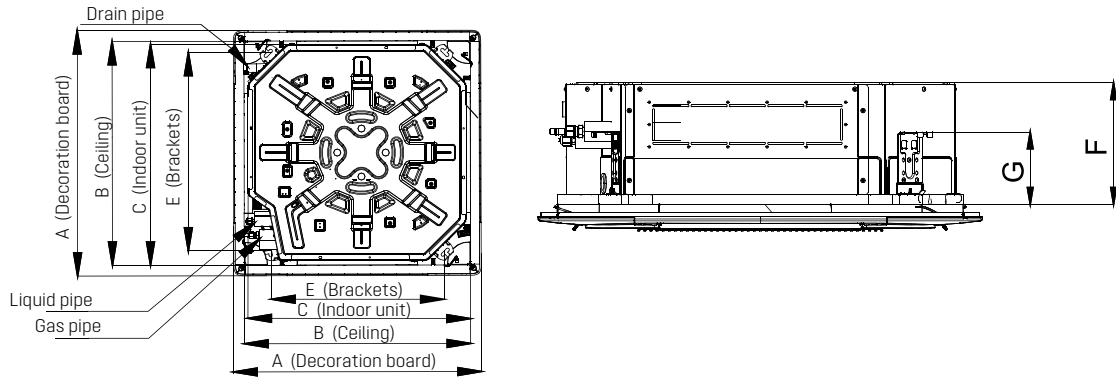
INVERTER



- ▶ Simple installation
- ▶ Compact overall dimensions
- ▶ Low noise fan;
- ▶ Long life cycle washable filter;
- ▶ Drain pump;
- ▶ Self-testing of main units and modes to identify malfunctions;
- ▶ Multi-level system protection.
- ▶ Pipeline length is up to 75 m. (for high power models);
- ▶ The possibility of selecting an indoor air temperature sensor for controlling.

Model		CH-IC035RK / CH-IU035RK	CH-IC050RK / CH-IU050RK	CH-IC071RK / CH-IU071RK	CH-IC085RK / CH-IU085RK	CH-IC100RK / CH-IU100RM	CH-IC125RK / CH-IU125RM	CH-IC140RK / CH-IU140RM	CH-IC160RK / CH-IU160RM		
Capacity	Cooling	kW	3,50	5,00	7,00	8,50	10,00	12,10	13,40	14,50	
	Heating	kW	4,00	5,50	8,00	8,80	12,00	13,50	15,50	17,00	
Electric power supply			~220-240 V/50 Hz/1 Ph				~380-415 V/50 Hz/3 Ph				
Rated input	Cooling	kW	1,00	1,56	2,05	2,80	3,00	4,05	4,70	5,20	
	Heating	kW	1,05	1,65	2,20	2,65	3,40	4,15	4,45	4,80	
Energy performance	Cooling	EER	3,50	3,21	3,41	3,04	3,33	2,99	2,85	2,94	
	Heating	COP	3,81	3,33	3,63	3,06	3,53	3,25	3,48	3,54	
Air flow	Indoor unit	m ³ /h	650	700	1100	1400	1500	1800	1900	2000	
Sound-pressure level	Indoor unit	dB (A)	44/39/36/33	44/39/36/33	43/42/40/39	49/47/44/41	50/48/46/42	51/49/46/42	52/51/48/45	54/52/50/48	
	Outdoor unit	dB (A)	50	53	52	53	55	56	57	57	
Type of refrigerant coolant			R32								
Volume of refrigerant coolant		kg	0,78	1,00	1,60	1,80	2,5	2,65	2,80	3,60	
Weight	Indoor unit	kg	17	17	29	29	31	33	36	36	
	Panel	kg	3	3	6	6	6	6	6	6	
	Outdoor unit	kg	37	39	53	60	89	95	99	112	
Operational temperature range	Cooling	°C	-20-48								
	Heating	°C	-20-24								
Liquid pipeline diameter	mm/ inch	6,38//1/4"		6,38//1/4"		9,53//3/8"		9,53//3/8"		9,53//3/8"	
Gas pipeline diameter	mm/ inch	9,53//3/8"		12,70//1/2"		15,88//5/8"		15,88//5/8"		15,88//5/8"	
Maximum pipeline level difference	m	15		20		25		30		30	
Pipeline maximum length	m	30		35		50		65		75	
Number of interblock strands (for control)		2x0,75mm ²									
Main power supply area		Outdoor unit									
Number of the strands (power supply)	Indoor unit	3 (∅ 1,0mm ²)									
	Outdoor unit	3 (∅ 1,5mm ²)		3 (∅ 1,5mm ²)		3 (∅ 2,5mm ²)		3 (∅ 2,5mm ²)		5 (∅ 1,5mm ²)	
Factory Freon fill (for the number of the running meters)	m	5		5		5		5		7,5	
Freon per one running meter (surplus. for one running meter)	g/m	16		16		40		40		40	
SEER/SCOP		5,90/-		5,90/4,00		7,20/3,90		6,10/4,00		6,10/4,00	
Energy performance class		A+/-		A+/A+		A++/A		A++/A		A++/A	

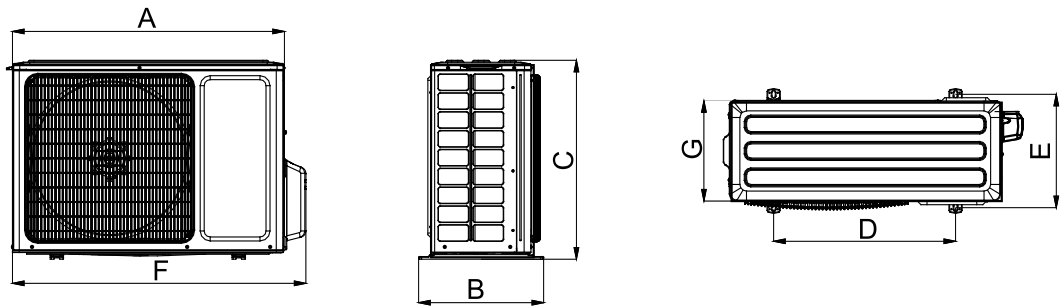
INDOOR UNIT



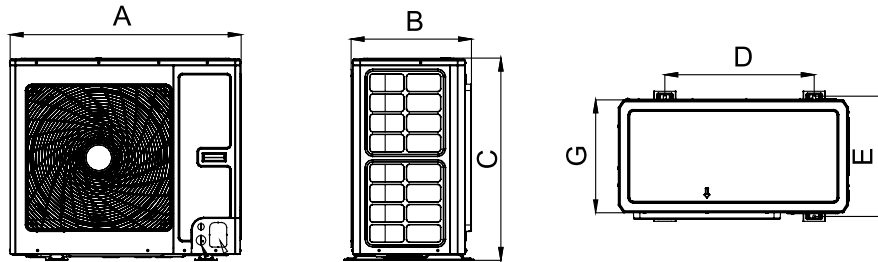
Model	A	B	C	D	E	F	G
CH-IC035RK	620	580	570	520	560	265	140
CH-IC050RK	620	580	570	520	560	265	140
CH-IC071RK	950	870	840	660	790	240	134
CH-IC085RK	950	870	840	660	790	240	134
CH-IC100RK	950	870	840	660	790	240	134
CH-IC125RK	950	870	840	660	790	290	134
CH-IC140RK	950	870	840	660	790	290	134
CH-IC160RK	950	870	840	660	790	290	134

OUTDOOR UNIT

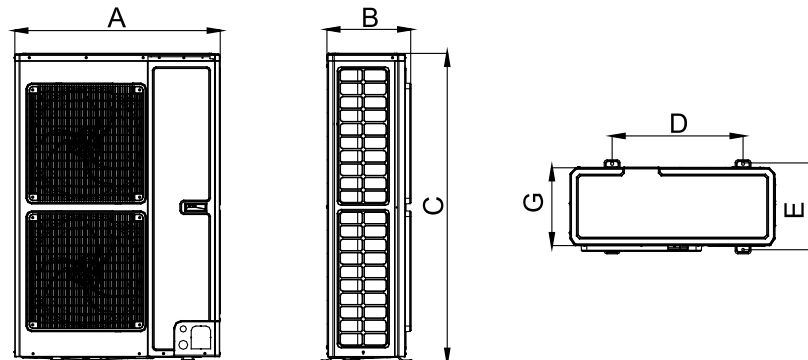
CH-IU035RK
CH-IU050RK
CH-IU071RK
CH-IU085RK



CH-IU100RM
CH-IU125RM
CH-IU140RM



CH-IU160RM



Model	A	B	C	D	E	F	G
CH-IU035RK / CH-IU050RK	818	378	596	550	348	887	302
CH-IU071RK	892	396	698	560	364	952	340
CH-IU085RK	920	427	790	610	395	1002	370
CH-IU100RM / CH-IU125RM / CH-IU140RM	940	530	820	610	486	/	460
CH-IU160RM	900	412	1345	572	378	/	340

*EER - seasonal coefficient of system cooling capacity.
** COP - seasonal coefficient of system heating capacity.

*SEER - seasonal coefficient of system cooling capacity.
** SCOP - seasonal coefficient of system heating capacity.