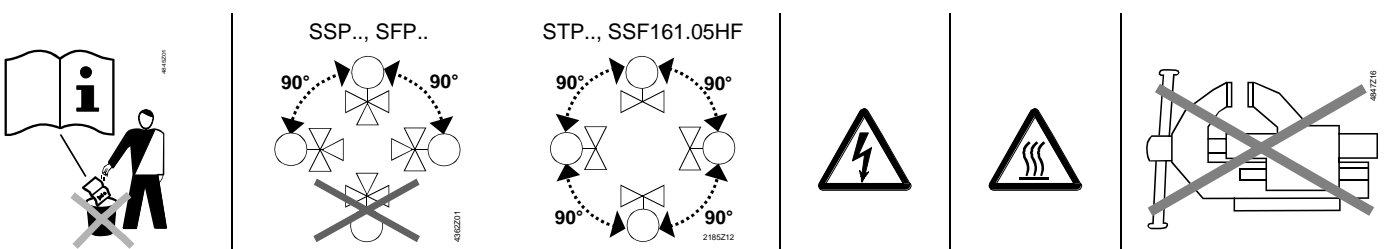


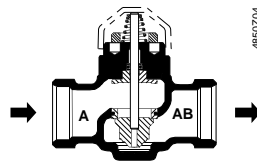
- de** Montageanleitung
- en** Mounting instructions
- fr** Instructions de montage
- sv** Monteringsinstruktion
- nl** Montage-handleiding
- it** Istruzioni di montaggio
- fi** Asennusohje
- es** Instrucciones de montaje
- da** Monteringsvejledning
- pl** Instrukcja montażu
- cz** Montážní návod
- hu** Szerelési útmutató
- el** Οδηγίες εγκατάστασης
- zh** 安裝指導

- Ventile PN16
- Valves PN16
- Vannes PN16
- Ventiler PN16
- Afsluiters PN16
- Valvole PN16
- Venttiilit PN16
- Válvulas PN16
- Ventiler PN16
- Zawory PN16
- Ventily PN16
- Szelepek PN16
- Βάνες PN16
- 阀门 PN16

VVP47...S
VXP47...S
VMP47...S



VVP47...S

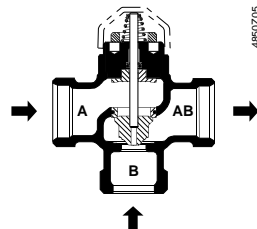


4850Z04

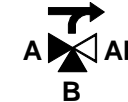


A → AB 0...100%

VXP47...S



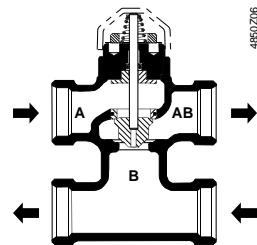
4850Z05



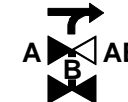
A → AB 0...100%
B → AB 70...0%



VMP47...S



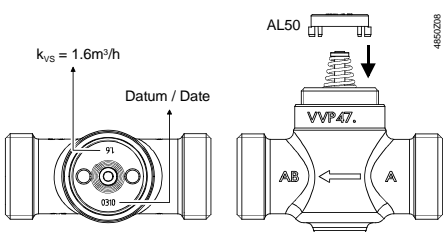
4850Z06



A → AB 0...100%
B → AB 70...0%

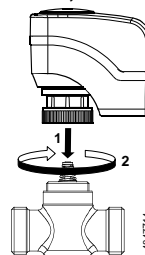


AL50



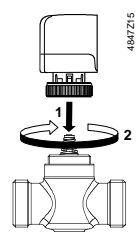
4850Z08

V...P47...S + SFP..., SSF161.05HF, SSP...



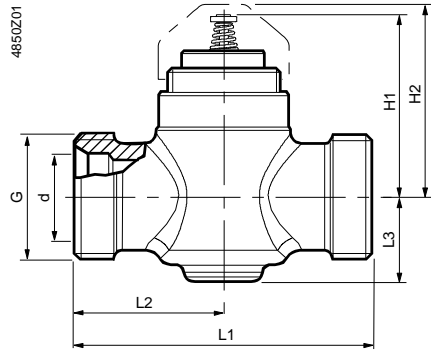
4847Z14

V...P47...S + STP... / STS...

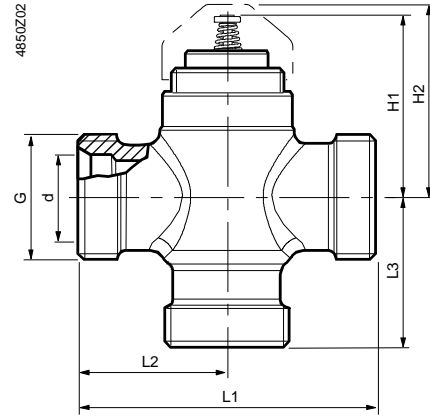


4847Z15

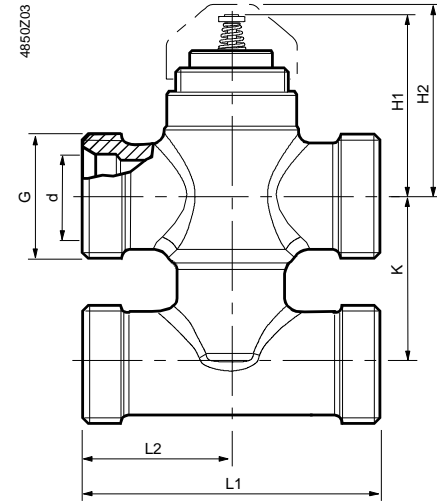
VVP47...S




VXP47...S




VMP47...S




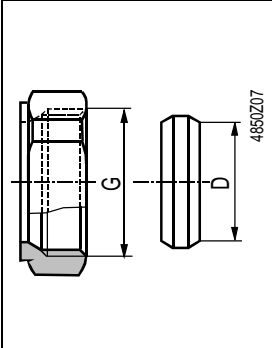
	DN	G	d	H1	H2	L1	L2	L3	
		["]	[mm]	[mm]	[mm]	[mm]	[mm]	[mm]	[kg]
VVP47.10-0.25S...1.6S	10	G½B	15.2	46	≈ 49	60	30	19	0.32
VVP47.15-2.5S	15	W 11/8 - 14	22.2	46	≈ 49	65	32.5	19	0.34



	DN	G	d	H1	H2	L1	L2	L3	
		["]	[mm]	[mm]	[mm]	[mm]	[mm]	[mm]	[kg]
VXP47.10-0.25S...1.6S	10	G½B	15.2	46	≈ 49	60	30	30	0.32
VXP47.15-2.5S	15	W 11/8 - 14	22.2	46	≈ 49	65	32.5	32.5	0.37



	DN	G	d	H1	H2	K	L1	L2	
		["]	[mm]	[mm]	[mm]	[mm]	[mm]	[mm]	[kg]
VMP47.10-0.25S...1.6S	10	G½B	15.2	46	≈ 49	40	60	30	0.40
VMP47.15-2.5S	15	W 11/8 - 14	22.2	46	≈ 49	40	65	32.5	0.48

	DN	G	CONEX	D
		["]		[mm]
VVP47.10-0.25S ... 1.6S	10	G½	Conex 63	15
VXP47.10-0.25S ... 1.6S				
VMP47.10-0.25S ... 1.6S				
VVP47.15-2.5S	15	W 11/8 - 14	Conex 65	22
VXP47.15-2.5S				
VMP47.15-2.5S				