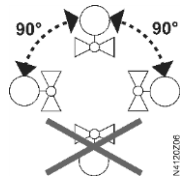


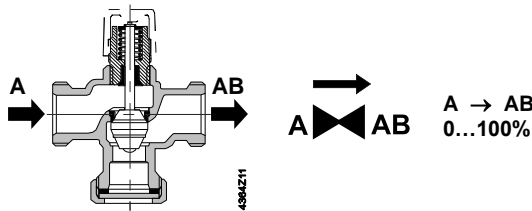
- de** Montageanleitung
- en** Mounting instructions
- fr** Instructions de montage
- sv** Monteringsinstruktion
- nl** Montage-aanwijzing
- it** Istruzioni di montaggio
- fi** Asennusohje
- es** Instrucciones de montaje
- da** Monteringsvejledning
- pl** Instrukcja montażu
- cz** Montážní návod
- hu** Szerelési útmutató
- el** Οδηγίες εγκατάστασης
- tr** Montaj talimatları
- zh** 安裝指導

- Ventile PN16
- Valves PN16
- Vannes PN16
- Ventiler PN16
- Afsluiters PN16
- Valvole PN16
- Venttiilit PN16
- Válvulas PN16
- Ventiler PN16
- Zawory PN16
- Ventily PN16
- Szelepek PN16
- Βάνες PN16
- Valves PN16
- 阀门 PN16

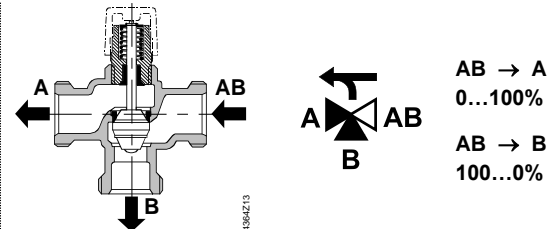
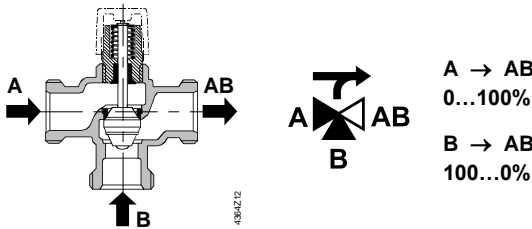
VVG44.. VXG44..



VVG44..

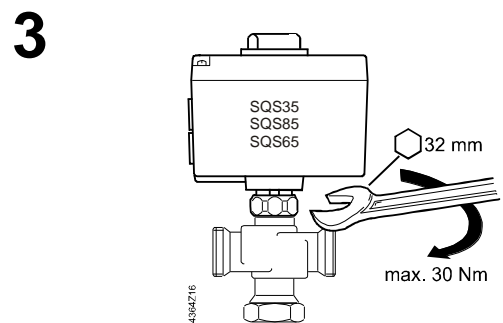
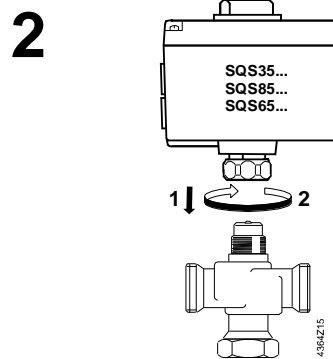
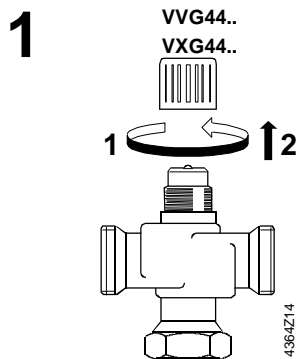


VXG44..

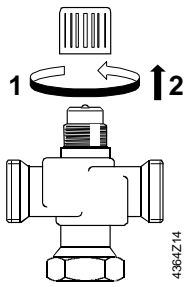


V..G44.. + SQS.. → 1...3

V..G44.. + SAS.. → 4...6

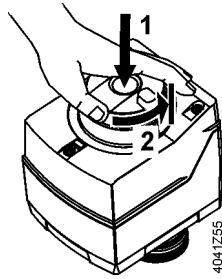


4

VVG44..
VVG44..

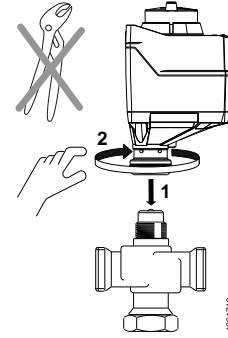
5

SAS..



6

SAS..



VVG44..		DN	B	G	L1	L2	L3	H1	H2	
			[mm]	["]	[mm]	[mm]	[mm]	[mm]	[mm]	
	VVG44.15-0.25	15	8.5	G1B	100	50	58	45	55	0.65
	VVG44.15-0.4							49	59	0.67
	VVG44.15-0.63							53	63	0.77
	VVG44.15-1							59	68	1.00
	VVG44.15-1.6							62.5	71	1.48
	VVG44.15-2.5							63.5	77.5	1.95
VVG44.20-6.3	20	9	G1½B	105	52.5	62.5	68	78	1.00	
VVG44.25-10	25	11	G1½B				71	81	1.48	
VVG44.32-16	32		G2B				77.5	87.5	1.95	
VVG44.40-25	40		G2½B	130	65	76	80.5	90.5	2.75	

VXG44..		DN	B	G	L1	L2	L3	H1	H2	
			[mm]	["]	[mm]	[mm]	[mm]	[mm]	[mm]	
	VXG44.15-0.25	15	8.5	G1B	100	50	50	45	55	0.55
	VXG44.15-0.4							49	59	0.59
	VXG44.15-0.63							53	63	0.67
	VXG44.15-1							59	68	0.90
	VXG44.15-1.6							62.5	71	1.30
	VXG44.15-2.5							63.5	77.5	1.74
VXG44.20-6.3	20	9	G1½B	105	52.5	52.5	68	78	0.90	
VXG44.25-10	25	11	G1½B				71	81	1.30	
VXG44.32-16	32		G2B				77.5	87.5	1.74	
VXG44.40-25	40		G2½B	130	65	65	80.5	90.5	2.39	

ALG..		G ["]	Rp ["]		
				ALG152	VVG44.15...
ALG202	VVG44.20-6.3	ALG203	VXG44.20-6.3	G1½	Rp¾
ALG252	VVG44.25-10	ALG253	VXG44.25-10	G1½	Rp1