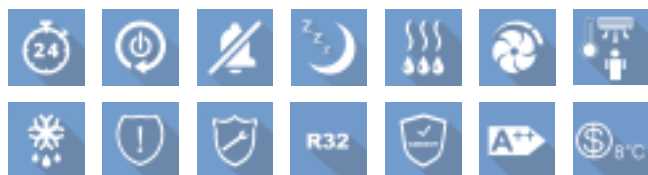


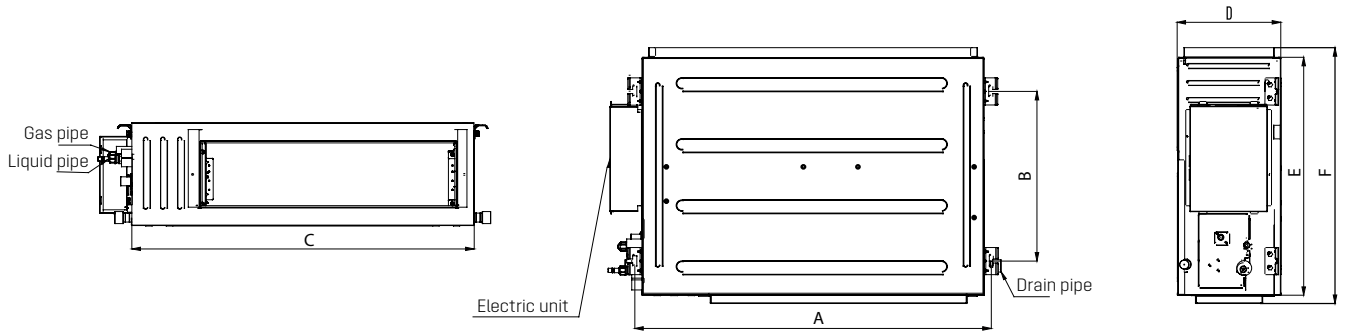
# NORDIC COMMERCIAL DUCT TYPE SERIES R



- ▶ Compact size;
- ▶ Drainage pump (only for inverter models);
- ▶ Low noise level;
- ▶ Long life washable filter;
- ▶ Automatic air distribution in Swing mode
- ▶ Self-diagnosis of the main units and modes;
- ▶ Multi-level protection system;
- ▶ Intelligent defrost;
- ▶ Length of the pipe up to 75 m (for high power models).

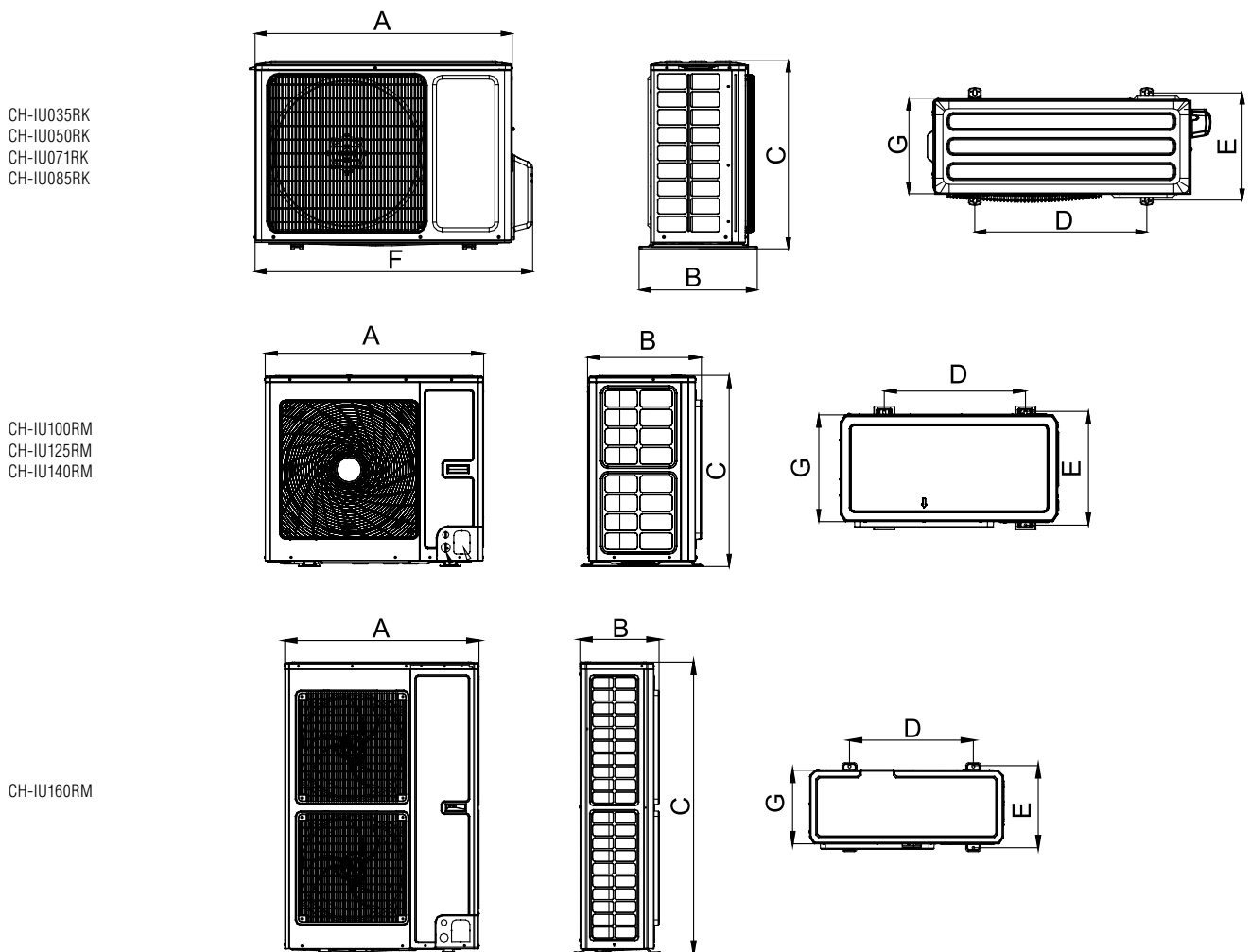
Model		CH-IDS035PRK / CH-IU035RK	CH-IDS050PRK / CH-IU050RK	CH-IDS071PRK / CH-IU071RK	CH-IDS085PRK / CH-IU085RK	CH-IDH100PRK / CH-IU100RM	CH-IDH125PRK / CH-IU125RM	CH-IDH140PRK / CH-IU140RM	CH-IDH160PRK / CH-IU160RM	
Capacity	Cooling	kW	3,5	5,00	7,00	8,50	10,00	12,10	13,40	16,00
	Heating	kW	4,00	5,50	8,00	8,80	12,00	13,50	15,50	17,00
Electric power supply			~220-240 V/50 Hz/1 Ph				~380-415 V/50 Hz/3 Ph			
Rated input	Cooling	kW	0,95	1,55	2,10	2,70	3,15	3,80	4,70	5,45
	Heating	kW	1,05	1,45	2,25	2,65	3,50	3,90	4,45	5,00
Energy performance	Cooling	EER	3,68	3,23	3,33	3,15	3,17	3,18	2,85	2,94
	Heating	COP	3,81	3,79	3,56	3,32	3,43	3,46	3,48	3,40
Air flow	Indoor unit	m³/h	650	950	1200	1500	1800	2000	2200	2400
Pressure range (nominal/ maximal)		Pa	25/50	25/50	25/75	37/75	37/100	50/150	50/150	50/200
Sound-pressure level	Indoor unit	dB (A)	41/38/36/34	43/42/39/36	40/39/37/36	42/40/37/35	46/44/42/40	42/40/39/37	43/41/40/38	44/41/39/38
	Outdoor unit	dB (A)	50	53	52	53	55	56	57	57
Type of refrigerant coolant			R32							
Volume of refrigerant coolant		kg	0,78	1,00	1,60	1,80	2,50	2,65	2,80	3,60
Weight	Indoor unit	kg	20	26	31	31	41	50	50	57
	Outdoor unit	kg	37	39	53	60	89	95	99	112
Operational temperature range	Cooling	°C	-20-48							
	Heating	°C	-20-24							
Liquid pipeline diameter		mm/ inch	6,38//1/4"	6,38//1/4"	9,53//3/8"	9,53//3/8"	9,53//3/8"	9,53//3/8"	9,53//3/8"	9,53//3/8"
Gas pipeline diameter		mm/ inch	9,53//3/8"	12,70//1/2"	15,88//5/8"	15,88//5/8"	15,88//5/8"	15,88//5/8"	15,88//5/8"	15,88//5/8"
Maximum pipeline level difference		m	15	20	25	30	30	30	30	30
Pipeline maximum length		m	30	35	50	65	75	75	75	75
Number of interblock strands (for control)			2x0,75mm²							
Main power supply area			Outdoor unit							
Number of the strands (power supply)	Indoor unit		3 (∅ 1,0mm²)							
	Outdoor unit		3 (∅ 1,5mm²)	3 (∅ 1,5mm²)	3 (∅ 2,5mm²)	3 (∅ 2,5mm²)	5 (∅ 1,5mm²)	5 (∅ 1,5mm²)	5 (∅ 1,5mm²)	5 (∅ 1,5mm²)
Factory Freon fill ( for the number of the running meters)		m	5	5	5	5	5	5	7,5	7,5
Freon per one running meter (surplus. for one running meter)		g/m	16	16	40	40	40	40	40	40
SEER/SCOP			6,10/4,00	6,10/4,00	6,80/4,00	6,10/4,00	6,10/4,00	5,80/3,80	5,40/3,70	6,10/4,00
Energy performance class			A++/A+	A++/A+	A++/A+	A++/A+	A++/A+	A+/A	A+/A	A++/A+

# INDOOR UNIT



Model	A	B	C	D	E	F
CH-IDS035PRK	760	415	700	200	450	474
CH-IDS050PRK	1060	415	1000	200	450	474
CH-IDS071PRK	1360	415	1300	220	450	474
CH-IDS085PRK						
CH-IDH100PRK	1040	500	1000	300	700	754
CH-IDH125PRK						
CH-IDH140PRK	1440	500	1400	300	700	754
CH-IDH160PRK						

# OUTDOOR UNIT



Model	A	B	C	D	E	F	G
CH-IU035RK / CH-IU050RK	818	378	596	550	348	887	302
CH-IU071RK	892	396	698	560	364	952	340
CH-IU085RK	920	427	790	610	395	1002	370
CH-IU100RM / CH-IU125RM / CH-IU140RM	940	530	820	610	486	/	460
CH-IU160RM	900	412	1345	572	378	/	340

\*EER - seasonal coefficient of system cooling capacity.  
 \*\* COP - seasonal coefficient of system heating capacity.

\*SEER - seasonal coefficient of system cooling capacity.  
 \*\* SCOP - seasonal coefficient of system heating capacity.