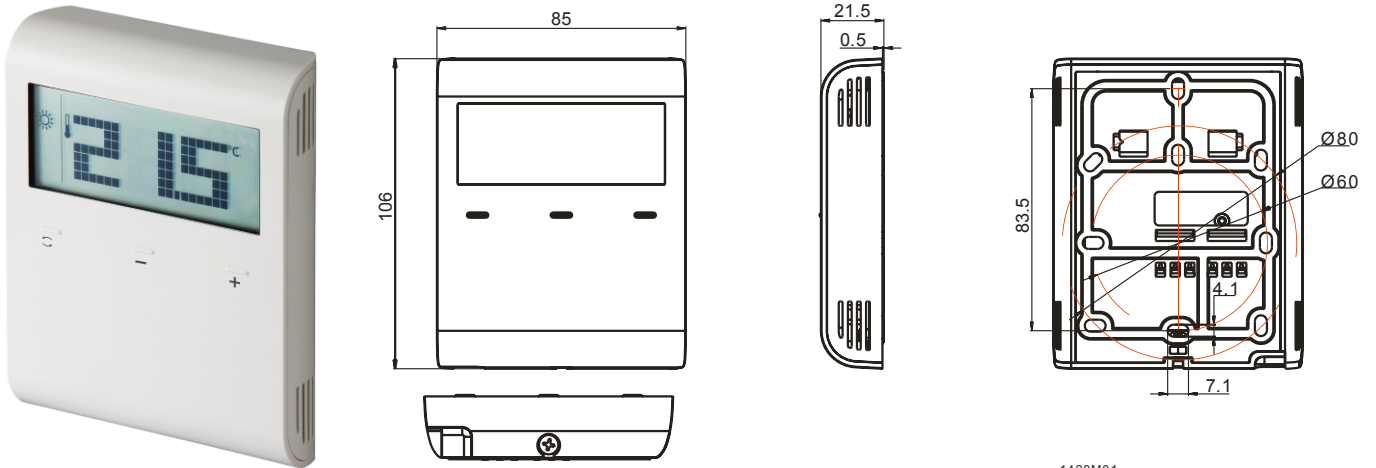
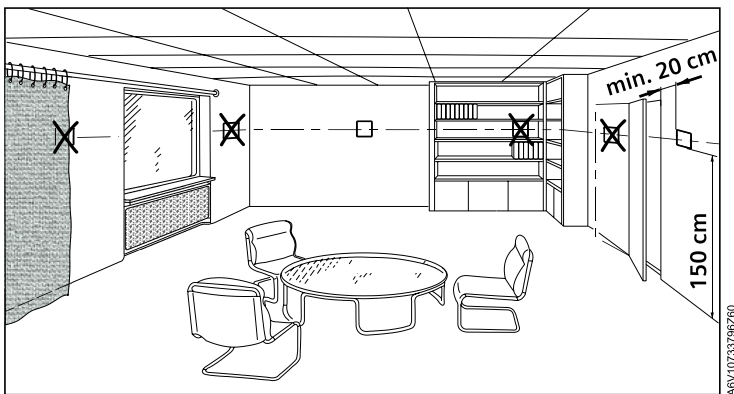


RDD100..

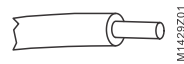
Dimensions in mm



1420M01

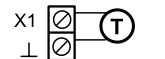


ABV10733756260



M1429Z01

Max. 1 x 2.5 mm²
Max. 2 x 1.5 mm²



M1429Z02



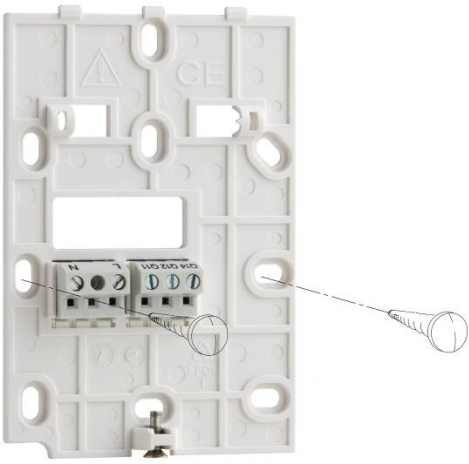
Wire [mm ²]	Max. [m]
1.5	80



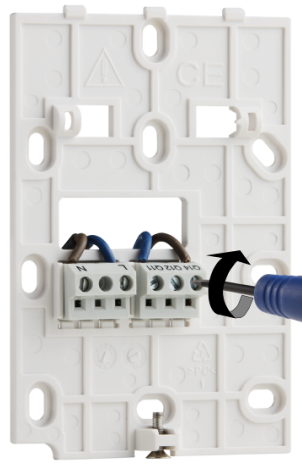
2.



3.



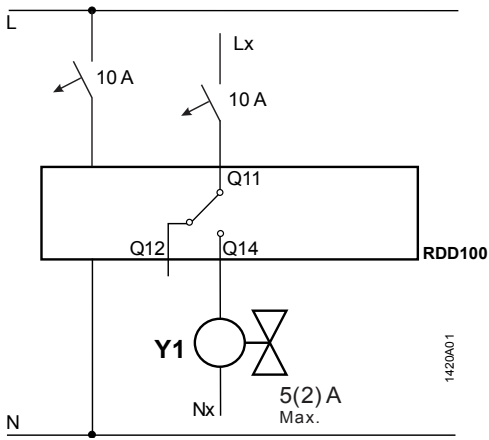
4.



5.



RDD100



⚠ L-N AC 230 V



1) www.siemens.com/HIT
(HIT start center)

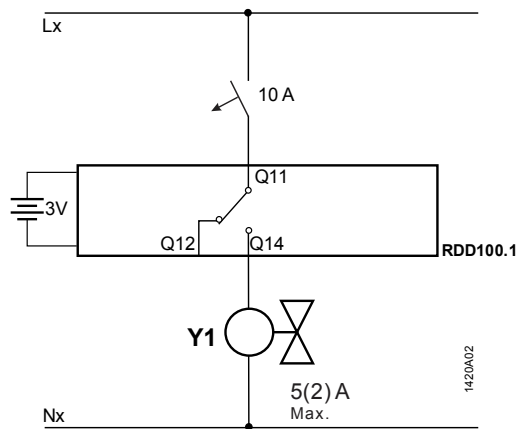
2) 🔍 “RDD”

3) 📄 (doc)

6.



RDD100.1



⚠ Lx-Nx 24...230 V



🕒 Max. 1.5 min.