
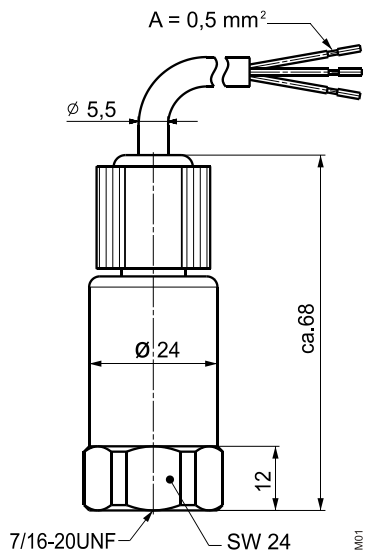
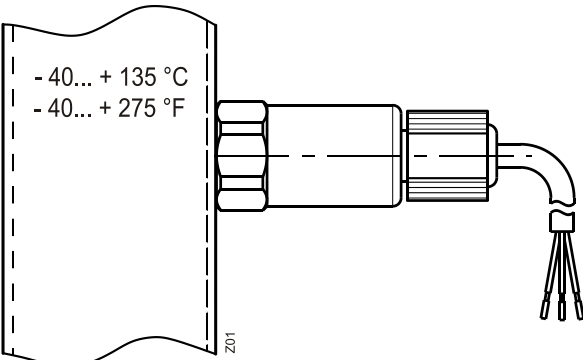
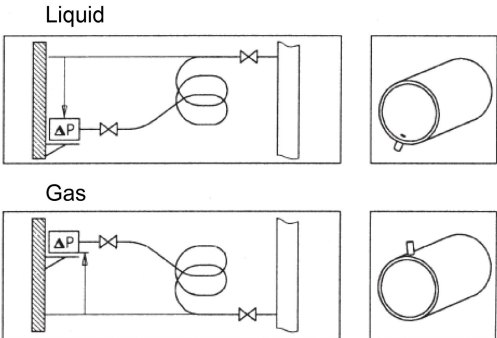
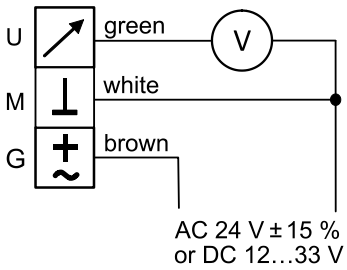
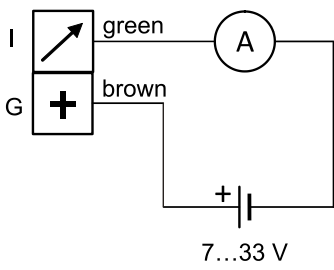


# S

- de** Montageanleitung
- en** Mounting instructions
- fr** Instructions de montage
- sv** Monteringsinstruktion
- nl** Montage-aanwijzing
- it** Istruzioni di montaggio
- fi** Asennusohje
- es** Instrucciones de montaje
- da** Monteringsvejledning

## QBE2x04...

		
		
<p>QBE2004...      0...10 V</p>  <p style="text-align: center;">AC 24 V ± 15 % or DC 12...33 V</p>	<p>QBE2104...      4...20 mA</p>  <p style="text-align: center;">7...33 V</p>	<p>For additional information refer to the following documents on the Internet:</p> <p><a href="http://siemens.com/bt/download">http://siemens.com/bt/download</a></p> <p>→ search for "QBE2004" or "QBE2104"</p>